

# PolyNet™ PB

## Disposable Filter Capsules



Fluid Purification



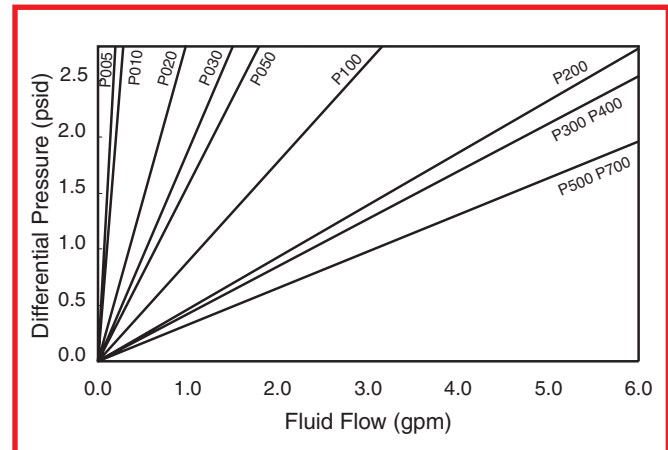
PolyNet PB capsule filters\* are absolute rated and designed for critical, small volume filter applications in the pharmaceutical, fine chemical and microelectronics markets. Employing the innovative PolyNet filter construction, the PolyNet PB capsules provide enhanced flow, lower pressure drop, extended service life and lower total filtration costs. The all polypropylene PolyNet depth filter is constructed with a proprietary process that utilizes flow enhancing filter media and an innovative flow pattern. This unique design provides greater contaminant holding capacity at exceptional flow rates.

### Benefits

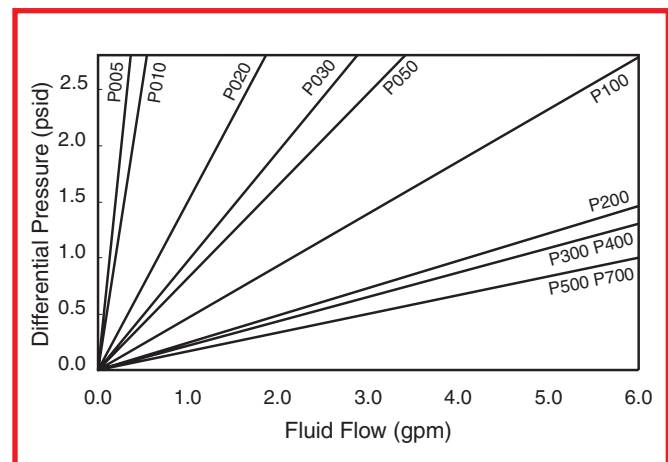
- Fast flow rates with high contaminant retention
- Sanitary vent and drain valves
- Low hold-up volume
- Exceptional chemical compatibility
- Meets USP Class VI Biological Tests for Plastics
- Constructed with FDA 21 CFR listed components
- Non-pyrogenic per USP Bacterial Endotoxins Test (< .25 EU/ml)
- Conductivity and Total Organic Carbon (TOC) - Meets requirements of USP Purified Water after flushing.
- Meets USP Particulates in Injectables limits, non-fiber releasing filter per 21 CFR
- Individual Certificate of Quality
- Regulatory Support File available

### Flow Rates

The following are typical water flow rates for PolyNet PB capsules with 1/2" sanitary flange connections. Other end connections will affect maximum flow rates, see table below. Consult factory representative for flow rates of other end connections.



Flow Rates for 2 1/2" Capsules with 1/2" Sanitary Flanges @ 20°C



Flow Rates for 5" Capsules with 1/2" Sanitary Flanges @ 20°C

### Maximum Recommended Flow by End Fitting

End Fitting	Maximum Recommended Flow Rate (gpm)	Housing Pressure Loss (psid)
1/2" Sanitary Flange	6.00	1.00
3/8" FNPT	6.00	1.00
1/2" Hose Barb	3.00	1.50
1/4" MNPT	1.50	2.40
Tapered Hose Barb	0.50	2.20

\* US and Foreign patents pending.

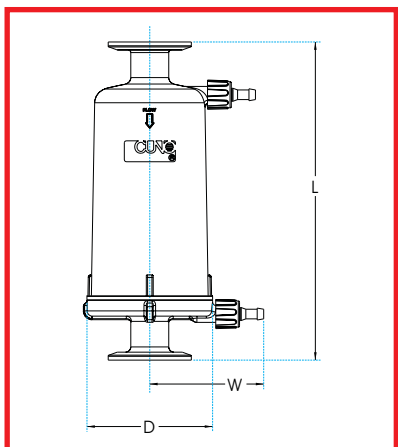
PolyNet PB Filter Capsule Specifications	
<b>Materials of Construction</b>	
Filter media, netting, core, end caps and capsule body	Polypropylene
Vent/drain O-rings	See ordering guide
<b>Operating Conditions</b>	
Maximum operating pressure	75 psig (5.2 bar) @ 104°F (40°C)
Maximum differential pressure	
Forward	35 psid at 104°F (2.4 bar at 40°C)
Recommended change-out differential pressure	35 psid at 104°F (2.4 bar at 40°C)
Sterilization	<b>DO NOT <i>in-situ</i> STEAM</b>
Autoclave	5 cycles maximum for 30 minutes at 259°F (126°C)

Nominal Capsule Dimensions						
	Nominal Length*	With End Connections* (inches)				
		A	B	C	D	E
Length (L)	01	5	5 1/2	5	5	5 1/4
	02	7 1/2	8	7 1/2	7 1/2	7 3/4
Diameter (D)	01	3				
	02					
Width to Vent (W)	01	2 3/4				
	02					
* See Ordering Guide						

**WARRANTY**

Seller warrants its equipment against defects in workmanship and material for a period of 12 months from date of shipment from the factory under normal use and service and otherwise when such equipment is used in accordance with instructions furnished by Seller and for purposes disclosed in writing at the time of purchase, if any. Any unauthorized alteration or modification of the equipment by Buyer will void this warranty. Seller's liability under this warranty shall be limited to the replacement or repair, F.O.B., point of manufacture, of any defective equipment or part which, having been returned to the factory, transportation charges prepaid, has been inspected and determined by Seller to be defective. THIS WARRANTY IS IN LIEU OF ANY OTHER WARRANTY, EITHER EXPRESSED OR IMPLIED, AS TO DESCRIPTION, QUALITY, MERCHANTABILITY, FITNESS FOR ANY PARTICULAR PURPOSE OR USE, OR ANY OTHER MATTER. Under no circumstances shall Seller be liable to Buyer or any third party for any loss of profits or other direct or indirect costs, expenses, losses or consequential damages arising out of or as a result of any defects in or failure of its products or any part or parts thereof or arising out of or as a result of parts or components incorporated in Seller's equipment but not supplied by the Seller.

**Your Local CUNO Distributor is:**



**PolyNet PB Filter Capsule Ordering Guide**

Cartridge Type	Grade		Configuration	Nominal Length	End Connection	Vent O-ring Option	Packaging Option
	Code	Rating (µm)					
NT	P005	0.5	C = Capsule	01 = 2 1/2"	A = 1 1/2 " sanitary flange B = 1/2 " (14mm) hose barb C = 1/4 " MNPT D = 3/8 " FNPT E = 1/4 " - 3/16 " - 3/8 " tapered hose barb	A = Silicone B = Fluorocarbon C = EPR	01 = single pack 03 = 3 pack 20 = 20 pack
	P010	1.0					
	P020	2.0					
	P030	3.0					
	P050	5.0					
	P100	10					
	P200	20					
	P300	30					
	P400	40					
	P500	50					
P700	70						

**Service Worldwide**  
 Visit us at [www.cuno.com](http://www.cuno.com)



**Fluid Purification**

CUNO Pacific Pty Ltd  
 140 Sunnholt Road  
 Blacktown, NSW 2148  
 Australia

CUNO GmbH  
 Wihl-Th-Römheld-Str. 32  
 55130 Mainz  
 Germany

CUNO Srl  
 Via Zara, 38  
 20032 Cormano (Mi)  
 Italy

CUNO Filtration Asia Pte Ltd  
 18 Tuas Link 1 (3<sup>rd</sup> Floor)  
 Singapore 638597

CUNO Latina Ltda  
 Rua Amf Do Brasil 251  
 18120 Mairinque-Sp  
 Brazil

CUNO Europe SA  
 19 Avenue de la Sablière  
 ZI de la Sablière  
 BP 81 - 94372 Sucy en Brie Cedex  
 France

CUNO K.K.  
 Hodogaya Station  
 Building 6F  
 1-7 Iwai-cho, Hodogaya-ku  
 Yokohama 240 Japan

CUNO Ltd  
 21 Woking Business Park  
 Albert Drive  
 Woking, Surrey GU215JY  
 United Kingdom

**Cuno Incorporated**

400 Research Parkway  
 Meriden, CT 06450, U.S.A.  
 Tele: (800) 243-6894  
 (203) 237-5541  
 Fax: (203) 238-8977