

## MICRO-SCREEN® Stainless Steel Filter Elements



**Micro-Screen®** filter elements are produced from premium quality woven stainless steel screen mesh. Elements are all-304 or 316 stainless steel, with screen and perforated internal support attached to end caps equipped with replaceable gaskets. Elements can be cleaned chemically or ultrasonically and reused. Cylindrical elements may also be cleaned in place by backflushing. Request literature LITMSPKCLN for recommended cleaning instructions.

### APPLICATIONS

- Corrosive fluids that attack other types of filter media.
- Liquids and gases at high operating temperatures.
- Steam filtration, including culinary steam.
- Airborne hydraulic-pneumatic control systems subject to vibration, shock, or other unusual environmental operating conditions.
- Ultra-clean fluids requiring non-fibrous media of absolute structural integrity.
- Heavy viscosity liquids requiring high differential pressures to achieve specified flow rates.

### SPECIFICATIONS

| Construction   | Cylindrical or Pleated                                       |
|--|--|
| Materials of Construction:                           |  |
| Screen, end caps                                     | 304L stainless steel standard, 316 stainless steel available |
| Inner support  | 304 stainless steel  |
| Gaskets (2 required)                                 | Buna N, Viton, PTFE, or Ethylene Propylene                   |
| Element Operating Temperature:                       |  |
| with Buna N gaskets                                  | ≤ 250° F   |
| with Ethylene propylene gaskets                      | ≤ 300° F   |
| with Viton gaskets                                   | ≤ 400° F   |
| with PTFE gaskets                                    | ≤ 450° F   |
| Maximum Forward Differential Pressure                | 70 psid  |
| Maximum Reverse Differential Pressure (backflushing) | 15 psid  |
| Nominal Ratings (Microns)                            | 2, 5, 10, 20, 40   |

### MICRO-SCREEN FILTER ELEMENT FLOW RATES

Recommended flow in gallons per minute per one-high element based on clean fluid at 2 p.s.i. pressure drop (actual flow may be reduced by a fouling factor depending on service).

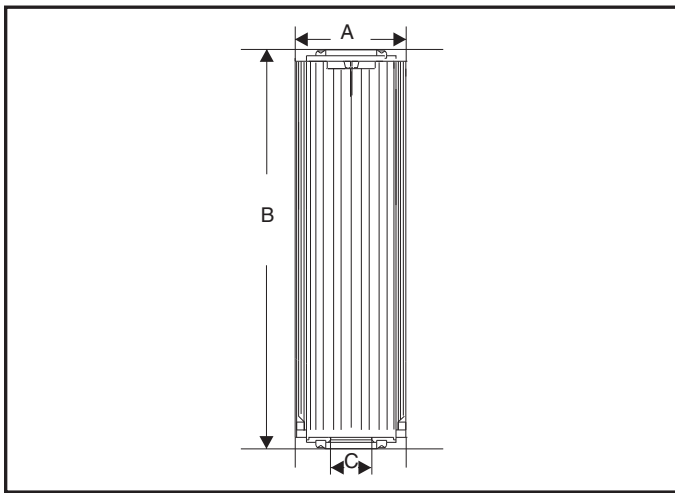
#### MICRO-SCREEN PLEATED CARTRIDGE FILTERS

| 2 Micron |        |         |         | 5 Micron |        |         |         | 10 Micron |        |         |         | 20 Micron |        |         |         | 40 Micron |        |         |         |
|----------|--------|---------|---------|----------|--------|---------|---------|-----------|--------|---------|---------|-----------|--------|---------|---------|-----------|--------|---------|---------|
| Water    | 80 SSU | 200 SSU | 600 SSU | Water    | 80 SSU | 200 SSU | 600 SSU | Water     | 80 SSU | 200 SSU | 600 SSU | Water     | 80 SSU | 200 SSU | 600 SSU | Water     | 80 SSU | 200 SSU | 600 SSU |
| 12       | 6.3    | 3.7     | 3       | 12       | 7.1    | 5       | 3.2     | 12        | 8.0    | 5.8     | 4.8     | 12        | 8.4    | 6.7     | 5.7     | 12        | 8.4    | 6.7     | 5.8     |

#### MICRO-SCREEN CYLINDRICAL CARTRIDGE FILTERS

| 2 Micron |        |         |         | 5 Micron |        |         |         | 10 Micron |        |         |         | 20 Micron |        |         |         | 40 Micron |        |         |         |
|----------|--------|---------|---------|----------|--------|---------|---------|-----------|--------|---------|---------|-----------|--------|---------|---------|-----------|--------|---------|---------|
| Water    | 80 SSU | 200 SSU | 600 SSU | Water    | 80 SSU | 200 SSU | 600 SSU | Water     | 80 SSU | 200 SSU | 600 SSU | Water     | 80 SSU | 200 SSU | 600 SSU | Water     | 80 SSU | 200 SSU | 600 SSU |
| 12       | 3.9    | 2.1     | 1.2     | 12       | 5.4    | 3.0     | 1.5     | 12        | 6.8    | 4.9     | 2.9     | 12        | 7.1    | 5.8     | 4.0     | 12        | 7.2    | 5.8     | 4.6     |

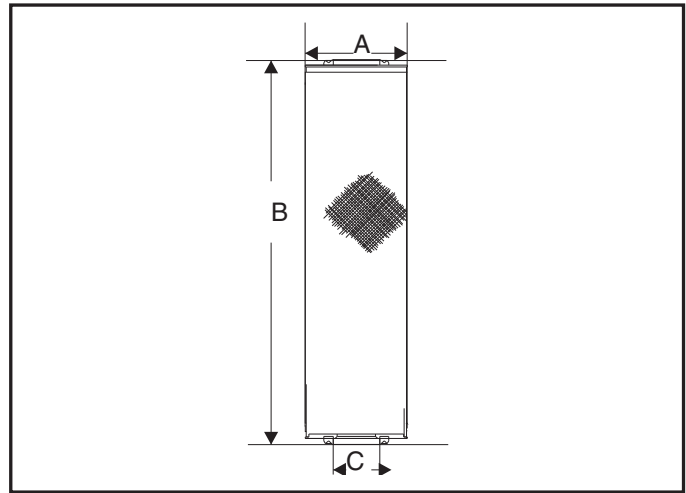
## PLEATED ELEMENT



CARTRIDGE DIMENSIONS OF PLEATED ELEMENT

|               | Element Height | A                                 | B                                | C  |
|---------------|----------------|-----------------------------------|----------------------------------|----|
| Basic Element | One-High       | 2 <sup>13</sup> / <sub>16</sub> " | 9 <sup>3</sup> / <sub>4</sub> "  | 1" |
| Number 52043  | Two-High       | 2 <sup>13</sup> / <sub>16</sub> " | 19 <sup>1</sup> / <sub>2</sub> " | 1" |

## CYLINDRICAL ELEMENTS



CARTRIDGE DIMENSIONS OF CYLINDRICAL ELEMENT

|               | Element Height | A                               | B                                | C  |
|---------------|----------------|---------------------------------|----------------------------------|----|
| Basic Element | One-High       | 2 <sup>3</sup> / <sub>4</sub> " | 9 <sup>3</sup> / <sub>4</sub> "  | 1" |
| Number 52243  | Two-High       | 2 <sup>3</sup> / <sub>4</sub> " | 19 <sup>1</sup> / <sub>2</sub> " | 1" |

## MICRO-SCREEN PLEATED & CYLINDRICAL FILTER ELEMENTS ORDERING GUIDE

| XXXXX<br>Basic Element No. | -XX<br>Element Height | -XX<br>Element Material       | -XXXX<br>Filtration Rating |
|----------------------------|-----------------------|-------------------------------|----------------------------|
| 52043 Pleated              | -01 (One-High)        | -41 (All 304 stainless steel) | -0024 (2 micron)           |
|                            | 9 3/4"                |                               | -0054 (5 micron)           |
|                            | -02 (Two-High)        |                               | -0104 (10 micron)          |
| 52243 Cylindrical          | 19 1/2"               |                               | -0204 (20 micron)          |
|                            |                       |                               | -0403 (40 micron)          |

- Specify gasket material separately (two per cartridge): Buna N - 81754-31, Ethylene Propylene - 81754-34, PTFE - 30718-31, or Viton - 81754-33.

### Important Notice

CUNO MAKES NO WARRANTIES, EXPRESS OR IMPLIED, INCLUDING, BUT NOT LIMITED TO, ANY IMPLIED WARRANTY OF MERCHANTABILITY OR FITNESS FOR A PARTICULAR PURPOSE. Since a variety of factors can affect the use and performance of a CUNO product in a particular application, some of which are uniquely within the user's knowledge and control, user is responsible for determining whether or not the CUNO product is fit for a particular purpose and suitable for user's method of application.

### Limitation of Remedies and Liability

If the CUNO product is proved to be defective, THE EXCLUSIVE REMEDY, AT CUNO'S OPTION, SHALL BE TO REFUND THE PURCHASE PRICE OR TO REPAIR OR REPLACE THE DEFECTIVE PRODUCT. CUNO shall not otherwise be liable for loss or damages, whether direct, indirect, special, incidental or consequential, regardless of the legal theory asserted, including, but not limited to, contract, negligence, warranty or strict liability.

## SPECIAL DESIGNS

Micro-Screen cartridges are also available in all-316 stainless steel and 29 1/4" and 39" lengths. Other special mesh ratings available are: 200, 150, 120, 100, 80, 60, and 40 mesh. Micro-Screen is also available in special diameters and lengths, and with threaded connector single open end. Special Micro-Screen miniature filter elements are available for jet engine fuel, air and hydraulic systems. Incorporated into system component parts, they conserve space and weight. For special designs, please consult your local CUNO Distributor.

### Warranty

Seller warrants its equipment against defects in workmanship and material for a period of 12 months from date of shipment from the factory under normal use and service and otherwise when such equipment is used in accordance with instructions furnished by Seller and for purposes disclosed in writing at the time of purchase, if any. Any unauthorized alteration or modification of the equipment by Buyer will void this warranty. Seller's liability under this warranty shall be limited to the replacement or repair, F.O.B., point of manufacture, of any defective equipment or part which, having been returned to the factory, transportation charges prepaid, has been inspected and determined by Seller to be defective. THIS WARRANTY IS IN LIEU OF ANY OTHER WARRANTY, EITHER EXPRESSED OR IMPLIED, AS TO DESCRIPTION, QUALITY, MERCHANTABILITY, FITNESS FOR ANY PARTICULAR PURPOSE OR USE, OR ANY OTHER MATTER. Under no circumstances shall Seller be liable to Buyer or any third party for any loss of profits or other direct or indirect costs, expenses, losses or consequential damages arising out of or as a result of any defects in or failure of its products or any part or parts thereof or arising out of or as a result of parts or components incorporated in Seller's equipment but not supplied by the Seller.



a 3M company

## CUNO Incorporated

400 Research Parkway  
Meriden, CT 06450, U.S.A.  
Tel: (800) 243-6894  
(203) 237-5541  
Fax: (203) 630-4530  
www.cuno.com