

Zeta Plus® Model 8ZP1P & 12ZP1P Sanitary Housings



Zeta Plus 8ZP1P (pictured above) and 12ZP1P sanitary filter housings are especially suited for laboratory use, for small-volume pharmaceuticals, and diagnostic drugs; the housings can be used on the laboratory bench stand or in-line.

The ZP1P Models, constructed of durable polished stainless steel, are easily sterilized on-line. The 12ZP1P Model offers an o-ring seal and centerpost construction for easy removal of the filter cartridge. The 8ZP1P Model uses an o-ring seal, plug-in style cartridge. The ZP1P models have a quick-release V-band closure that makes cartridge changeout quick and easy.

The 8ZP1P model can handle flow rates up to 3.5 GPM, and the 12ZP1P handles flow rates up to 11 GPM. Both models have a maximum operating pressure and temperature of 125 psig at 194°F. The 8ZP1P housing uses one 8" diameter Zeta Plus filter cartridge; the 12ZP1P uses one 12" diameter Zeta Plus filter cartridge.

DESIGN FEATURES

- Construction - Polished 316 stainless steel
- Design O-ring seal, centerpost construction for easy cartridge removal
- Quick-release V-band clamp closure for quick and easy cartridge changeout.

Options

- Fluorocarbon and EPR gaskets are available as options; order separately.

STANDARD MODEL

SPECIFICATIONS

Table 1 lists standard specifications for ZP1P models. On Table 1, note that the maximum operating pressure is the rating for the housing only. Actual filter operating temperature depends on the temperature capability of the filter cartridge.

SPECIFICATIONS

TABLE 1. - SPECIFICATIONS	
Operating Data	ZP1P Models
Maximum Operating Pressure	125 psi @ 194°F
Maximum Flow Rate (Water)	3.5 (8ZP1P) 11 (12ZP1P)
Materials Of Construction	
Base & Dome	316 S.S.
External Dome Clamp	304 S.S.
Vent & Drain Valves 1/4"	316 S.S.
Centerpost Weldment(12ZP1P)	S.S.
Tightening Nut (12ZP1P)	S.S.
Dome O-ring	Nitrile
Centerpost O-ring	Silicone
Inlet / Outlet Connections	1-1/2 Inch Tri-Clover
Options	Gaskets are available in fluorocarbon or EPR; order separately
* Tri-Clover is a registered trademark of Tri-Clover, Incorporated.	

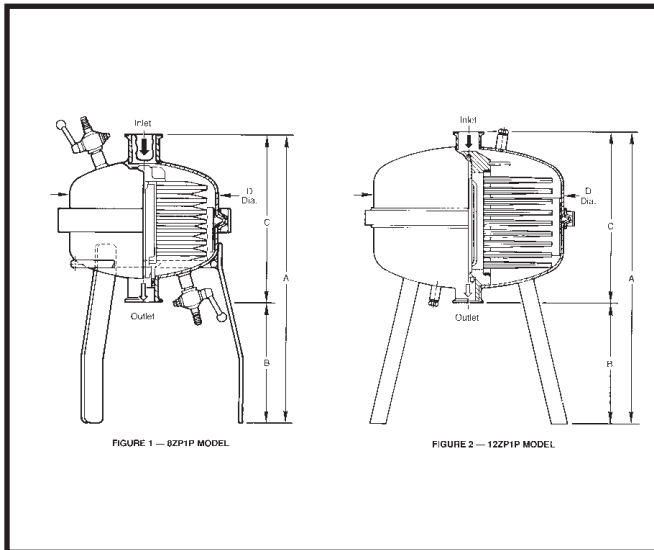
CARTRIDGE REQUIREMENTS

The 8ZP1P cartridge filter housing uses one 7 11/16" high, 8" diameter, o-ring seal plug-in style cartridge. The 12ZP1P uses one 7 11/16" high, 12" diameter cartridge mounted on an o-ring seal centerpost.

STANDARD MODEL DIMENSIONS

Table 2 lists dimensions in inches and shipping weights in pounds for the ZP1P models.

Housing Model	A	B	C	D	Shipping Weight
8ZP1P	15 15/16	6 3/32	9 27/32	8 3/16	13
12ZP1P	19 5/16	8 5/16	11	12 3/4	29



REPLACEMENTS PARTS LIST

Your CUNO dealer stocks replacement parts for your convenience. To order, specify the item by part number, material, description, and quantity desired. Table 3 lists complete information for the ZP1P models. Note that a (S) following the description indicates a recommended spare.

Description	Material	Qty.	Part Number	
			8ZP1P	12ZP1P
Housing Top	316 S.S.	1	65935-31	65935-38
Housing Bottom	316 S.S.	1	65935-31	65935-39
Gasket Retainer	316 S.S.	1	65935-32	-
V-Band Clamp	304 S.S.	1	65935-33	65935-40
Bench Stand	316 S.S.	1	65935-34	-
Gasket, Drain Valve (S)	Silicone	1	65935-35	-
Drain Valve	316 S.S.	1	65935-36	-
Gasket, Housing (S)	Nitrile	1	65215-31	66670-31
Gasket, Housing (S)	Fluorocarbon	1	65215-32	66670-33
Gasket, Housing (S)	EPR	1	65215-33	66670-32
Gasket, Housing (S)	Silicone	1	37564-40	66670-34
O-Ring, Centerpost (S)	Silicone	2	-	63597-140
Centerpost Weldment	S.S.	1	-	65395-41
Tightening Nut	S.S.	1	-	65395-42

ORDERING GUIDE

HOUSING MODEL	PART NUMBER
8ZP1P	45197-01
12ZP1P	45223-01

WARRANTY

Seller warrants its equipment against defects in workmanship and material for a period of 12 months from date of shipment from the factory under normal use and service and otherwise when such equipment is used in accordance with instructions furnished by Seller and for purposes disclosed in writing at the time of purchase, if any. Any unauthorized alteration or modification of the equipment by Buyer will void this warranty. Seller's liability under this warranty shall be limited to the replacement or repair, F.O.B. point of manufacture, of any defective equipment or part which, having been returned to the factory, transportation charges prepaid, has been inspected and determined by the Seller to be defective. THIS WARRANTY IS IN LIEU OF ANY OTHER WARRANTY, EITHER EXPRESSED OR IMPLIED, AS TO DESCRIPTION, QUALITY, MERCHANTABILITY, FITNESS FOR ANY PARTICULAR PURPOSE OR USE, OR ANY OTHER MATTER. Under no circumstances shall Seller be liable to Buyer or any third party for any loss of profits or other direct or indirect costs, expenses, losses or consequential damages arising out of or as a result of any defects in or failure of its products or any part or parts thereof or arising out of or as a result of parts or components incorporated in Seller's equipment but not supplied by the Seller.

Your Local CUNO Distributor is:



a 3M company

CUNO Filtration Asia Pte Ltd
2A Tuas Avenue 12
Singapore 693023

CUNO Pacific Pty Ltd
140 Sunnyholt Road
Blacktown, NSW 2148
Australia

CUNO Latina Ltda
Rua Amf Do Brasil 251
18120 Mairinque-Sp
Brazil

Cuno Incorporated

400 Research Parkway
Meriden, CT 06450, U.S.A.

Tel: (800) 243-6894

(203) 237-5541

Fax: (203) 630-4530

www.cuno.com

Cuno Filtration Shanghai Co, Ltd
No. 2 Xin Miao San Rd,
Xin Miao Town,
Song Jiang District,
Shanghai, China. 201612

CUNO K.K.
Hodogaya Station
Building 6F
1-7 Iwai-cho, Hodogaya-ku
Yokohama 240 Japan

CUNO Ltd
21 Woking Business Park
Albert Drive
Woking, Surrey GU215JY
United Kingdom

LITZPH.1P2.0390